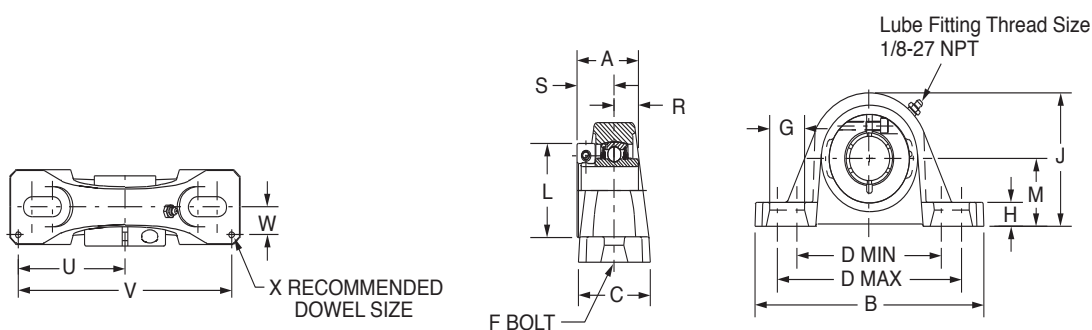
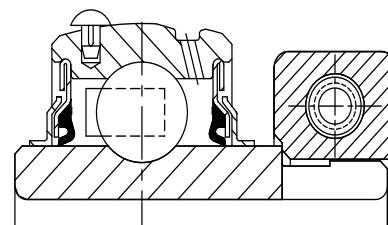




SELECTION/DIMENSIONS

D-LOK Ball Bearings DLAH NORMAL DUTY AIR HANDLING PILLOW BLOCKS



| Series | Shaft Size | Part No. | Description |
|--------------|------------|---------------|----------------|
| 204 | 3/4 | 128432 | P2B-DLAH-012 |
| | 20mm | 075045 | P2B-DLAH-20M |
| 205 | 7/8 | @ | P2B-DLAH-014 |
| | 15/16 | @ | P2B-DLAH-015 |
| | 1 | 128435 | P2B-DLAH-100 |
| | 25mm | 073924 | P2B-DLAH-25M |
| 206 (DLU) | 1-1/8 | 128436 | P2B-DLUAH-102 |
| | 1-3/16 | 128437 | P2B-DLUAH-103 |
| | 1-1/4 | 128438 | P2B-DLUAH-104S |
| | 30mm | @ | P2B-DLUAH-30M |
| 207 | 1-1/4 | 065784 | P2B-DLAH-104 |
| | 1-3/8 | 128440 | P2B-DLAH-106 |
| | 1-7/16 | 128441 | P2B-DLAH-107 |
| | 35mm | 068777 | P2B-DLAH-35M |
| 208 (DLB) | 1-1/2 | 074593 | P2B-DLBAH-108 |
| | 40mm | @ | P2B-DLBAH-40M |
| 209 | 1-5/8 | 128443 | P2B-DLAH-110L |
| | 1-11/16 | 128444 | P2B-DLAH-111 |
| | 1-3/4 | @ | P2B-DLAH-112 |
| | 45mm | 068537 | P2B-DLAH-45M |
| 210 | 1-15/16 | 128446 | P2B-DLAH-115 |
| | 2 | 064825 | P2B-DLAH-200 |
| | 50mm | 067783 | P2B-DLAH-50M |
| 211 | 2 | 128481 | P2B-DLMAH-200 |
| | 2-3/16 | 128449 | P2B-DLAH-203 |
| | 55mm | @ | P2B-DLAH-55M |
| 212 | 2-1/4 | 128483 | P2B-DLMAH-204 |
| | 2-7/16 | 128451 | P2B-DLAH-207 |
| | 60mm | 073926 | P2B-DLAH-60M |
| 214 | 2-1/2 | 128485 | P2B-DLMAH-208 |
| | 2-11/16 | 128452 | P2B-DLAH-211 |
| | 70mm | @ | P2B-DLAH-70M |
| 215 | 2-15/16 | 062187 | P2B-DLAH-215 |

@ Assembled to order

| | | | |
|--------------------------------|--|------------------------------------|---------------------------|
| FEATURES/BENEFITS PAGE B6-3 | HOW TO ORDER/NOMENCLATURE PAGE B6-5 | SELECTION/DIMENSIONS PAGE B6-10 | ACCESSORIES PAGE B6-62 |
|--------------------------------|--|------------------------------------|---------------------------|

Bearing Reference Guide

ULTRA KLEEN

E-Z KLEEN

Extreme Duty

Setscrew Ball Bearing

GRIP TIGHT

D-LOK Ball Bearing

SELECTION/DIMENSIONS



D-LOK Ball Bearings

DLAH NORMAL DUTY AIR HANDLING PILLOW BLOCKS

Bearing Reference Guide

ULTRA KLEEN

E-Z KLEEN

Extreme Duty

Setscrew Ball Bearing

GRIP TIGHT

D-LOK Ball Bearing

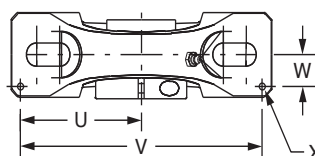
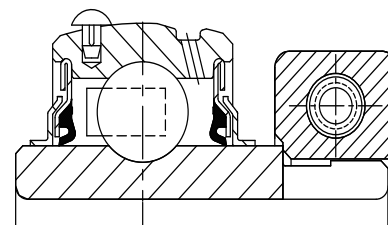
| Series | Shaft Size | Weight lbs kg | A | B | C | D | | F Bolt Dia. | G | H | J | L | M | R | S | U | V | W | X |
|--------------|------------|---------------------|------|-------|------|-------|-------|-------------------|------|------|-------|-------|------|------|------|-------|-------|------|------|
| | | | | | | min. | max. | | | | | | | | | | | | |
| 204 | 3/4 | 2.1 | 1.28 | 5.25 | 1.34 | 3.38 | 4.19 | 3/8 | 0.85 | 0.53 | 2.56 | 1.71 | 1.31 | 0.50 | 0.78 | 2.25 | 4.50 | 0.50 | 0.12 |
| | 20mm | 1.0 | 32.5 | 133.4 | 34.0 | 85.9 | 106.4 | M10 | 21.6 | 13.5 | 65.0 | 43.4 | 33.3 | 12.7 | 19.8 | 57.2 | 114.3 | 12.7 | 3.0 |
| 205 | 7/8 | 2.3 | 1.44 | 5.50 | 1.40 | 3.69 | 4.50 | 3/8 | 0.85 | 0.58 | 2.77 | 1.99 | 1.44 | 0.56 | 0.88 | 2.50 | 5.00 | 0.50 | 0.12 |
| | 15/16 | 2.3 | | | | | | | | | | | | | | | | | |
| | 1 | 2.3 | | | | | | | | | | | | | | | | | |
| 206 (DLU) | 25mm | 1.1 | 36.6 | 139.7 | 35.6 | 93.7 | 114.3 | M10 | 21.6 | 14.7 | 70.4 | 50.5 | 36.5 | 14.2 | 22.4 | 63.5 | 127.0 | 12.7 | 3.0 |
| | 1-1/8 | 3.8 | 1.56 | 6.25 | 1.75 | 4.25 | 5.00 | 1/2 | 0.94 | 0.75 | 3.31 | 2.22 | 1.69 | 0.58 | 0.98 | 2.88 | 5.76 | 0.56 | 0.12 |
| | 1-3/16 | 3.7 | | | | | | | | | | | | | | | | | |
| 207 | 1-1/4 | 3.7 | | | | | | | | | | | | | | | | | |
| | 1-1/4 | 3.7 | | | | | | | | | | | | | | | | | |
| | 30mm | 1.7 | 39.6 | 158.8 | 44.5 | 108.0 | 127.0 | M12 | 23.9 | 19.1 | 84.1 | 56.4 | 42.9 | 14.7 | 24.9 | 73.2 | 146.3 | 14.2 | 3.0 |
| 208 (DLB) | 1-1/4 | 4.9 | 1.75 | 6.50 | 1.75 | 4.68 | 5.44 | 1/2 | 0.94 | 0.71 | 3.75 | 2.69 | 1.88 | 0.67 | 1.08 | 2.91 | 5.82 | 0.56 | 0.12 |
| | 1-3/8 | 4.9 | | | | | | | | | | | | | | | | | |
| | 1-7/16 | 4.8 | | | | | | | | | | | | | | | | | |
| 209 | 35mm | 2.2 | 44.5 | 165.1 | 44.5 | 118.9 | 138.2 | M12 | 23.9 | 18.0 | 95.3 | 68.3 | 47.6 | 17.0 | 27.4 | 73.9 | 147.8 | 14.2 | 3.0 |
| | 1-1/2 | 6.0 | 2.01 | 7.25 | 1.93 | 5.18 | 5.88 | 1/2 | 0.91 | 0.75 | 4.00 | 2.74 | 1.94 | 0.75 | 1.26 | 3.26 | 6.52 | 0.69 | 0.12 |
| | 40mm | 2.7 | 51.1 | 184.2 | 49.0 | 131.6 | 149.4 | M12 | 23.1 | 19.1 | 101.6 | 69.6 | 49.3 | 19.1 | 32.0 | 82.8 | 165.6 | 17.5 | 3.0 |
| 210 | 1-5/8 | 6.8 | 2.01 | 7.44 | 2.00 | 5.50 | 6.19 | 1/2 | 0.90 | 0.75 | 4.28 | 2.99 | 2.13 | 0.75 | 1.26 | 3.38 | 6.76 | 0.69 | 0.12 |
| | 1-11/16 | 6.8 | | | | | | | | | | | | | | | | | |
| | 1-3/4 | 6.7 | | | | | | | | | | | | | | | | | |
| 211 | 45mm | 3.1 | 51.1 | 189.0 | 50.8 | 139.7 | 157.2 | M12 | 22.9 | 19.1 | 108.7 | 75.9 | 54.0 | 19.1 | 32.0 | 85.9 | 171.7 | 17.5 | 3.0 |
| | 1-15/16 | 8.5 | 2.01 | 8.12 | 2.25 | 6.00 | 6.68 | 5/8 | 1.02 | 0.75 | 4.53 | 3.24 | 2.25 | 0.75 | 1.26 | 3.69 | 7.38 | 0.81 | 0.12 |
| | 2 | 8.4 | | | | | | | | | | | | | | | | | |
| 212 | 50mm | 3.9 | 51.1 | 206.2 | 57.2 | 152.4 | 169.7 | M16 | 25.9 | 19.1 | 115.1 | 82.3 | 57.2 | 19.1 | 32.0 | 93.7 | 187.5 | 20.6 | 3.0 |
| | 2 | 12.2 | 2.25 | 8.88 | 2.30 | 6.38 | 7.44 | 5/8 | 1.21 | 0.88 | 4.96 | 3.69 | 2.50 | 0.88 | 1.37 | 3.94 | 7.88 | 0.81 | 0.12 |
| | 2-3/16 | 10.3 | | | | | | | | | | | | | | | | | |
| 213 | 55mm | 5.6 | 57.2 | 225.6 | 58.4 | 162.1 | 189.0 | M16 | 30.7 | 22.4 | 126.0 | 93.7 | 63.5 | 22.4 | 34.8 | 100.1 | 200.2 | 20.6 | 3.0 |
| | 2-1/4 | 17.5 | 2.38 | 9.50 | 2.37 | 6.88 | 7.94 | 5/8 | 1.21 | 0.88 | 5.40 | 4.11 | 2.75 | 0.90 | 1.48 | 4.25 | 8.50 | 0.88 | 0.12 |
| | 2-7/16 | 14.8 | | | | | | | | | | | | | | | | | |
| 214 | 60mm | 7.0 | 60.5 | 241.3 | 60.2 | 174.8 | 201.7 | M16 | 30.7 | 22.4 | 137.2 | 104.4 | 69.9 | 22.9 | 37.6 | 108.0 | 215.9 | 22.4 | 3.0 |
| | 2-1/2 | 19.4 | 2.60 | 10.75 | 2.69 | 7.50 | 8.50 | 3/4 | 1.32 | 0.94 | 6.09 | 4.38 | 3.00 | 1.06 | 1.54 | 4.88 | 9.76 | 0.94 | 0.12 |
| | 2-11/16 | 19.3 | | | | | | | | | | | | | | | | | |
| 215 | 70mm | 8.9 | 66.0 | 273.1 | 68.3 | 190.5 | 215.9 | M18 | 33.5 | 23.9 | 154.7 | 111.3 | 76.2 | 26.9 | 39.1 | 124.0 | 247.9 | 23.9 | 3.0 |
| | 2-15/16 | 24.9 | 2.40 | 11.75 | 2.88 | 8.50 | 9.50 | 7/8 | 1.44 | 1.00 | 6.75 | 4.69 | 3.50 | 0.82 | 1.58 | 5.48 | 10.96 | 1.04 | 0.12 |
| | | | 61.0 | 298.5 | 73.2 | 215.9 | 241.3 | M22 | 36.6 | 25.4 | 171.5 | 119.1 | 88.9 | 20.8 | 40.1 | 139.2 | 278.4 | 26.4 | 3.0 |

| | | | |
|--------------------------------|--|------------------------------------|---------------------------|
| FEATURES/BENEFITS PAGE B6-3 | HOW TO ORDER/NOMENCLATURE PAGE B6-5 | SELECTION/DIMENSIONS PAGE B6-10 | ACCESSORIES PAGE B6-62 |
|--------------------------------|--|------------------------------------|---------------------------|

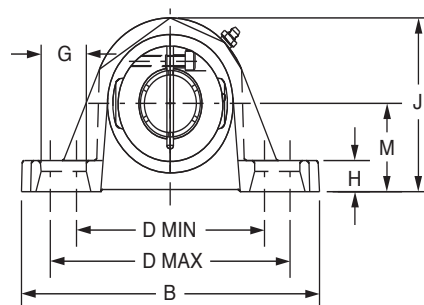
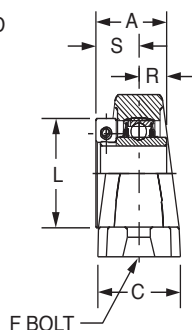


SELECTION/DIMENSIONS

D-LOK Ball Bearings DLMAH MEDIUM DUTY AIR HANDLING PILLOW BLOCKS



X RECOMMENDED
DOWEL SIZE



| Series | Shaft Size | Part No. | Description |
|--------|------------|---------------|---------------|
| 206 | 1 | 128474 | P2B-DLMAH-100 |
| 207 | 1-3/16 | 128475 | P2B-DLMAH-103 |
| | 1-1/4 | 065784 | P2B-DLAH-104 |
| 208 | 1-7/16 | 128476 | P2B-DLMAH-107 |
| 209 | 1-1/2 | 128477 | P2B-DLMAH-108 |
| | 1-5/8 | @ | P2B-DLAH-110L |
| 210 | 1-11/16 | 128478 | P2B-DLMAH-111 |
| | 1-3/4 | 128479 | P2B-DLMAH-112 |
| 211 | 1-15/16 | 128480 | P2B-DLMAH-115 |
| | 2 | 128481 | P2B-DLMAH-200 |
| 212 | 2-3/16 | 128482 | P2B-DLMAH-203 |
| | 2-1/4 | 128483 | P2B-DLMAH-204 |
| 214 | 2-7/16 | 128484 | P2B-DLMAH-207 |
| | 2-1/2 | 128485 | P2B-DLMAH-208 |
| 215 | 2-11/16 | 128488 | P2B-DLMAH-211 |
| 216 | 2-15/16 | 128489 | P2B-DLMAH-215 |
| 218 | 3-7/16 | 128490 | P2B-DLMAH-307 |

@ Assembled to order

FEATURES/BENEFITS
PAGE B6-3

HOW TO ORDER/NOMENCLATURE
PAGE B6-5

SELECTION/DIMENSIONS
PAGE B6-10

ACCESSORIES
PAGE B6-62

SELECTION/DIMENSIONS



D-LOK Ball Bearings DLMAH MEDIUM DUTY AIR HANDLING PILLOW BLOCKS

Bearing Reference Guide

ULTRA KLEEN

E-Z KLEEN

Extreme Duty

Setscrew Ball Bearing

GRIP TIGHT

D-LOK Ball Bearing

| Series | Shaft Size | Weight lbs | A | B | C | D | | F Bolt Dia. | G | H | J | L | M | R | S | U | V | W | X |
|--------|------------|------------|------|-------|------|-------|-------|-------------|------|------|-------|-------|-------|------|------|-------|-------|------|------|
| | | | | | | min. | max. | | | | | | | | | | | | |
| 206 | 1 | 4.2 | 1.56 | 6.25 | 1.75 | 4.25 | 5.00 | 1/2 | 0.94 | 0.75 | 3.31 | 2.22 | 1.69 | 0.58 | 0.98 | 2.88 | 5.76 | 0.56 | 0.12 |
| | | | 39.6 | 158.8 | 44.5 | 108.0 | 127.0 | | 23.9 | 19.1 | 84.1 | 56.4 | 42.9 | 14.7 | 24.9 | 73.2 | 146.3 | 14.2 | 3.0 |
| 207 | 1-3/16 | 5.6 | 1.75 | 6.50 | 1.75 | 4.68 | 5.44 | 1/2 | 0.94 | 0.71 | 3.75 | 2.69 | 1.88 | 0.67 | 1.08 | 2.91 | 5.82 | 0.56 | 0.12 |
| | 1-1/4 | 4.9 | 44.5 | 165.1 | 44.5 | 118.9 | 138.2 | M12 | 23.9 | 18.0 | 95.3 | 68.3 | 47.6 | 17.0 | 27.4 | 73.9 | 147.8 | 14.2 | 3.0 |
| 208 | 1-7/16 | 7.2 | 2.01 | 7.25 | 1.93 | 5.18 | 5.88 | 1/2 | 0.91 | 0.93 | 4.19 | 2.74 | 2.13 | 0.75 | 1.26 | 3.26 | 6.52 | 0.69 | 0.12 |
| | | | 51.1 | 184.2 | 49.0 | 131.6 | 149.4 | M12 | 23.1 | 23.6 | 106.4 | 69.6 | 54.0 | 19.1 | 32.0 | 82.8 | 165.6 | 17.5 | 3.0 |
| 209 | 1-1/2 | 9.2 | 2.01 | 7.50 | 2.13 | 5.44 | 6.06 | 1/2 | 0.88 | 0.88 | 4.44 | 2.99 | 2.13 | 0.75 | 1.26 | 3.38 | 6.75 | 0.69 | 0.19 |
| | 1-5/8 | 6.8 | 51.1 | 190.5 | 54.1 | 138.2 | 153.9 | M12 | 22.4 | 22.4 | 112.8 | 75.9 | 54.0 | 19.1 | 32.0 | 85.9 | 171.5 | 17.5 | 4.8 |
| 210 | 1-11/16 | 10.1 | 2.01 | 8.13 | 2.25 | 6.00 | 6.68 | 5/8 | 1.08 | 0.81 | 4.60 | 3.24 | 2.31 | 0.75 | 1.26 | 3.69 | 7.38 | 0.81 | 0.12 |
| | 1-3/4 | 10.1 | 51.1 | 206.5 | 57.2 | 152.4 | 169.7 | M16 | 27.4 | 20.6 | 116.8 | 82.3 | 58.7 | 19.1 | 32.0 | 93.7 | 187.5 | 20.6 | 3.0 |
| 211 | 1-15/16 | 12.3 | 2.25 | 8.88 | 2.30 | 6.38 | 7.44 | 5/8 | 1.21 | 0.88 | 4.96 | 3.69 | 2.50 | 0.88 | 1.37 | 3.94 | 7.88 | 0.81 | 0.12 |
| | 2 | 12.2 | 57.2 | 225.6 | 58.4 | 162.1 | 189.0 | M16 | 30.7 | 22.4 | 126.0 | 93.7 | 63.5 | 22.4 | 34.8 | 100.1 | 200.2 | 20.6 | 3.0 |
| 212 | 2-3/16 | 17.5 | 2.38 | 9.50 | 2.37 | 6.88 | 7.94 | 5/8 | 1.21 | 0.88 | 5.40 | 4.11 | 2.75 | 0.90 | 1.48 | 4.25 | 8.50 | 0.88 | 0.12 |
| | 2-1/4 | 17.5 | 60.5 | 241.3 | 60.2 | 174.8 | 201.7 | M16 | 30.7 | 22.4 | 137.2 | 104.4 | 69.9 | 22.9 | 37.6 | 108.0 | 215.9 | 22.4 | 3.0 |
| 214 | 2-7/16 | 19.4 | 2.60 | 10.75 | 2.69 | 7.50 | 8.50 | 3/4 | 1.32 | 0.94 | 6.09 | 4.38 | 3.00 | 1.06 | 1.54 | 4.88 | 9.76 | 0.94 | 0.12 |
| | 2-1/2 | 19.4 | 66.0 | 273.1 | 68.3 | 190.5 | 215.9 | M18 | 33.5 | 23.9 | 154.7 | 111.3 | 76.2 | 26.9 | 39.1 | 124.0 | 247.9 | 23.9 | 3.0 |
| 215 | 2-11/16 | 24.9 | 2.40 | 11.75 | 2.88 | 8.50 | 9.50 | 7/8 | 1.44 | 1.00 | 6.75 | 4.69 | 3.50 | 0.82 | 1.58 | 5.48 | 10.96 | 1.04 | 0.12 |
| | | | 61.0 | 298.5 | 73.2 | 215.9 | 241.3 | M22 | 36.6 | 25.4 | 171.5 | 119.1 | 88.9 | 20.8 | 40.1 | 139.2 | 278.4 | 26.4 | 3.0 |
| 216 | 2-15/16 | 25.4 | 2.62 | 11.75 | 3.00 | 8.50 | 9.50 | 7/8 | 1.44 | 1.25 | 6.97 | 4.99 | 3.50 | 0.88 | 1.74 | 5.50 | 11.00 | 1.09 | 0.12 |
| | | | 66.5 | 298.5 | 76.2 | 215.9 | 241.3 | M22 | 36.6 | 31.8 | 177.0 | 126.7 | 88.9 | 22.4 | 44.2 | 139.7 | 279.4 | 27.7 | 3.0 |
| 218 | 3-7/16 | 34.9 | 2.72 | 14.00 | 3.38 | 10.32 | 11.62 | 7/8 | 1.59 | 1.31 | 8.00 | 5.49 | 4.00 | 0.92 | 1.80 | 6.60 | 13.20 | 1.19 | 0.12 |
| | | | 69.1 | 355.6 | 85.9 | 262.1 | 295.1 | M22 | 40.4 | 33.3 | 203.2 | 139.4 | 101.6 | 23.4 | 45.7 | 167.6 | 335.3 | 30.2 | 3.0 |

| | | | |
|--------------------------------|--|------------------------------------|---------------------------|
| FEATURES/BENEFITS PAGE B6-3 | HOW TO ORDER/NOMENCLATURE PAGE B6-5 | SELECTION/DIMENSIONS PAGE B6-10 | ACCESSORIES PAGE B6-62 |
|--------------------------------|--|------------------------------------|---------------------------|